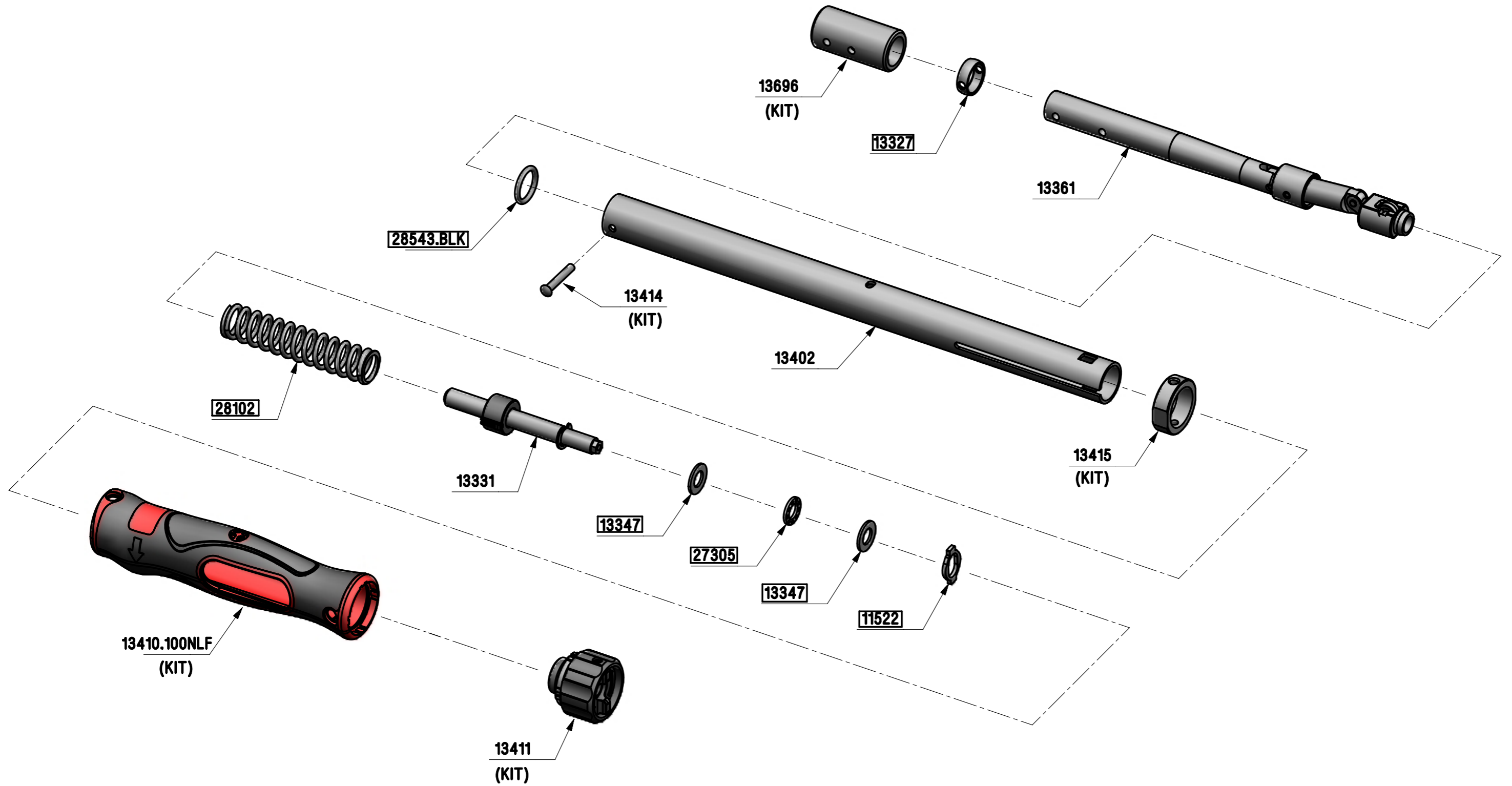




# 13603 – TW TTFTH 100 9X12 FEMALE END – N.m/lbf.ft – SPARES LISTING

ISSUE 1  
30SEP13



ALL BOXED PART NUMBERS ARE SUBJECT TO A MINIMUM ORDER QUANTITY